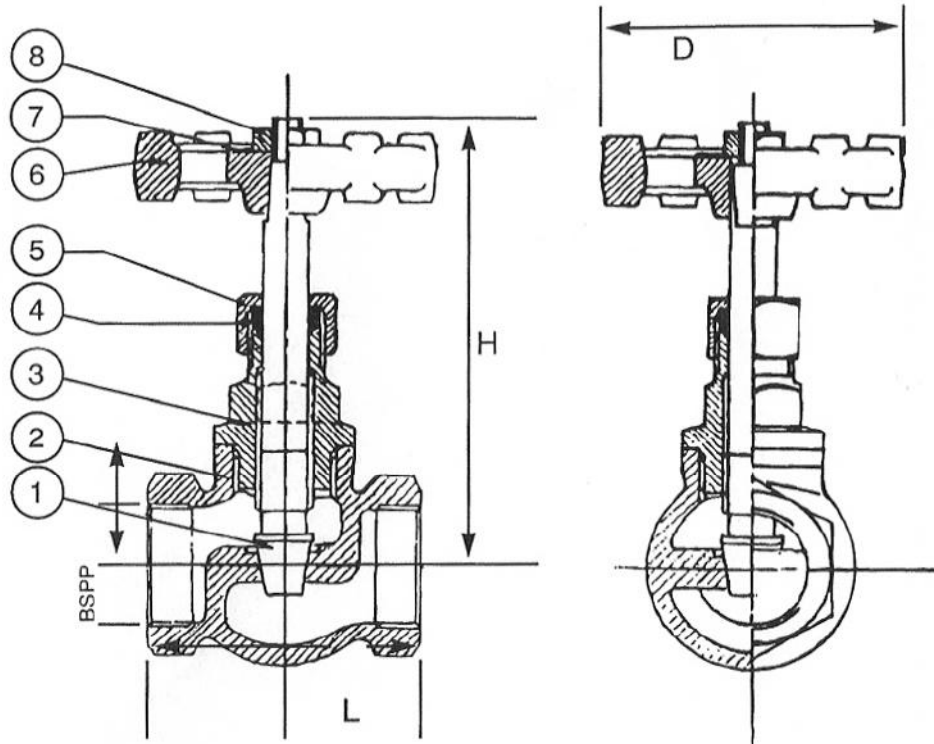


**Options:** Bronze Handwheels & 'T' Bars ①



**Dimensions**

Size mm	6 & 8	10	15	20	25	32	40	50	65	80	100
L	42	48	56	59	.	.	.	.	.	.	.
H	69	82	84	94	.	.	.	.	.	.	.
D	55	55	55	65	.	.	.	.	.	.	.
Wt/kgs	0.25	0.3	0.4	0.6	.	.	.	.	.	.	.

■ **Pressures:** 2100 kPa CWP  
Steam: 1400 kPa @ 200°C

■ **Standards:** Dezincification Resistant  
BS 5154 – 1991: Globe Stop & Check Valves  
AS 3855: Materials suitable for Potable Water Service

ITEM	DESCRIPTION	MAT'L	STANDARD
8	HANDWHEEL NUT	BRASS	
7	NAMEPLATE		
6	HANDWHEEL	ZINC ALUM BRONZE	AS1874 AS1565
5	GLAND NUT	DR BRASS	AS1567 -352
4	GLAND PACKING	PTFE	AS1198
3	COVER – BONNET	DR BRASS	AS1567 -352
2	BODY	GUNMETAL BRONZE	AS1565 C83600M
1	NEEDLE DISC SPINDLE	DR BRASS	AS1567 -352



**PROMET VALVES AUSTRALIA**

1A Green Road Woodville West SA 5011  
www.prometvalves.com promet@prometvalves.com  
T: 08 8268 1777 ABN 47096 425 697 F: 08 8268 1711

FIG No

**T1N**

**BRONZE NEEDLE VALVE**

**SCREWED**

CLASS 21  
PN 20